

Preparation unit—GT Series(Short PC bowl type)

GTC, GTFC, GTFR, GTF, GTL Series



Product feature

1. The short PC bowl type is upgraded GA200 series. Besides its speciality are the same as GA200 series, it's below speciality:
2. The bowl is made of PC and is short which allows for litter space application.
3. Two drain types are available: semi-auto drain, and automatic drain.

Ordering code

GTC200 08 S **W G K**
GTFC200 08 S **W G K**
GTFR200 08 S **W G K**

① ② ③ ④ ⑤ ⑥ ⑦ ⑧

① Model	② Port size	③ Type code	④ Accessories	⑤ Pressure gauge	⑥ Filtering grade	⑦ Thread type	⑧ Code of reflux valve
GTC200: GT200 Series F.R.L unit (Short PC bowl)	06: 1/8" 08: 1/4"	S: Standard L: Lower pressure [Note1]	No this code	Blank: Circular N: No gauge	Blank: 40 μ m W: 5 μ m	Blank: PT(MPa/psi) G: G(bar/MPa) T: NPT(psi/bar)	Blank: No reverse flow valve is attached K: Reverse flow valve is attached [Note2]
GTFC200: GT200 Series FR.L unit (Short PC bowl)							
GTFR200: GT200 Series Filter & regulator (Short PC bowl)			Blank: Bracket J: No bracket				

[Note1] The maximum work pressure of lower pressure type is 0.4MPa(58psi); [Note2] Please refer to page 194 for details of reflux valve.

GTF200 08 **W G**

① ② ③ ④ ⑤

① Model	② Port size	③ Accessories	④ Filtering grade	⑤ Thread type
GTF200: GT200 Series Filter (Short PC bowl)	06: 1/8" 08: 1/4"	Blank: Bracket J: No bracket	Blank: 40 μ m W: 5 μ m	Blank: PT G: G T: NPT

GTL200 08 **G**

① ② ③ ④

① Model	② Port size	③ Accessories	④ Thread type
GTL200: GT200GA200 Lubricator (Short PC bowl)	06: 1/8" 08: 1/4"	Blank: Bracket J: No bracket	Blank: PT G: G T: NPT

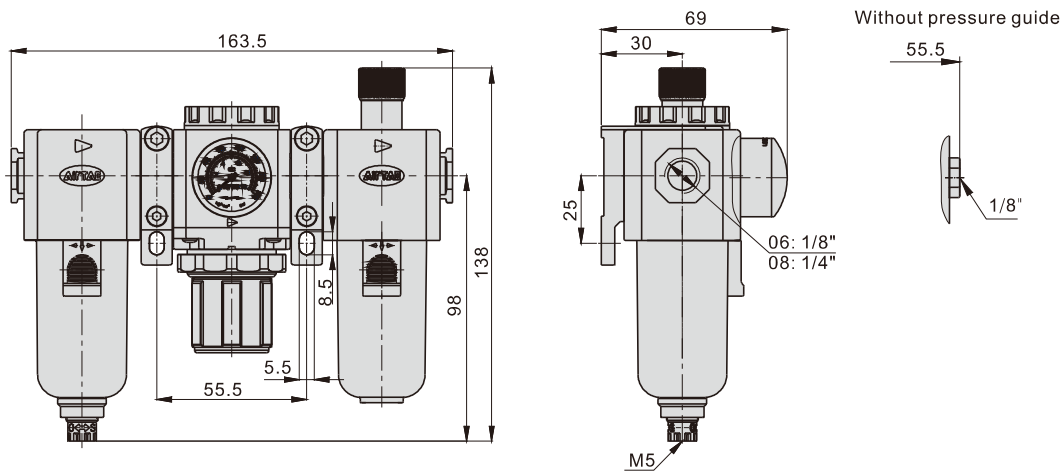
Preparation unit—GT Series (Short PC bowl type)



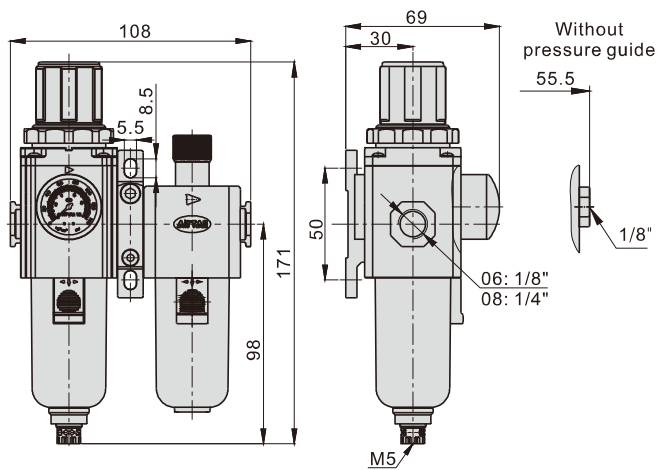
GTC, GTF, GTF, GTL Series

Dimensions

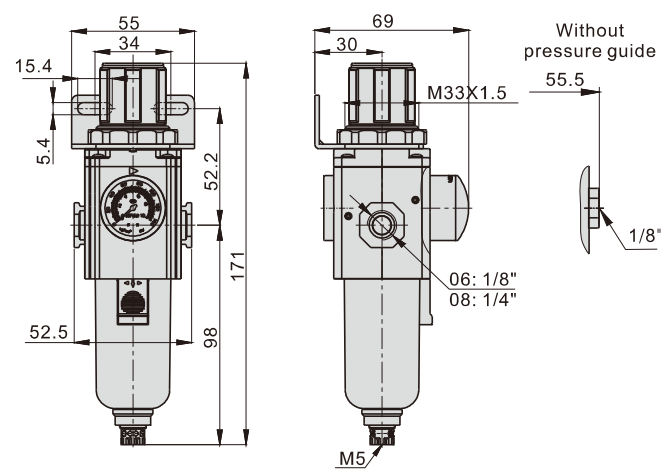
GTC200



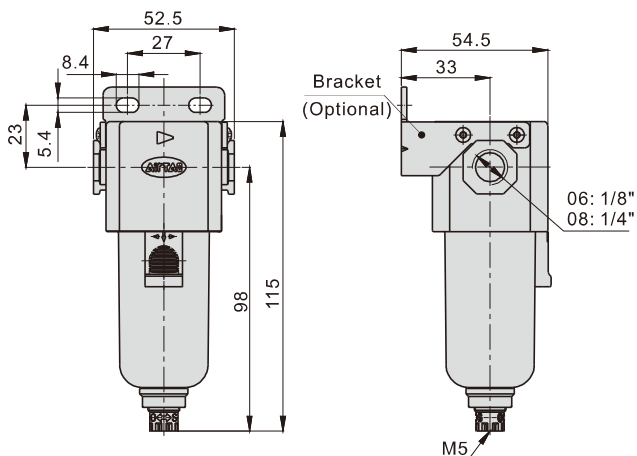
GTF200



GTFR200



GTF200



GTL200

