

ADW Series dripleg drain



Symbol



Product feature

1. The float is with lever structure. Low position enables more stable drain.
2. The bowl made of High intensity PC and covered by steel case is safer to use.
3. Double strainer guarantees the operation of the drainer.
4. Inlet with large port size prevents accumulation of particles or rust.
5. The drainage bowl with large capacity can keep more rust and dirt than general drains.
6. The drain is equipped with large float and sensitive to control.
7. The bowl with large size can store a certain amount of water which reduces discharging time and extends the service life.

Specification

Model	ADW400-10	ADW400-15
Fluid	Air	
Pressure range	0.15~1.0MPa(22~145psi)	
Max. pressure	1.0MPa(145psi)	
Proof pressure	1.5MPa(215psi)	
Temperature range	-5~70°C(Unfreezing)	
Port size [Note1]	IN=3/8"	IN=1/2"

[Note1] PT thread, G thread and NPT thread are available.

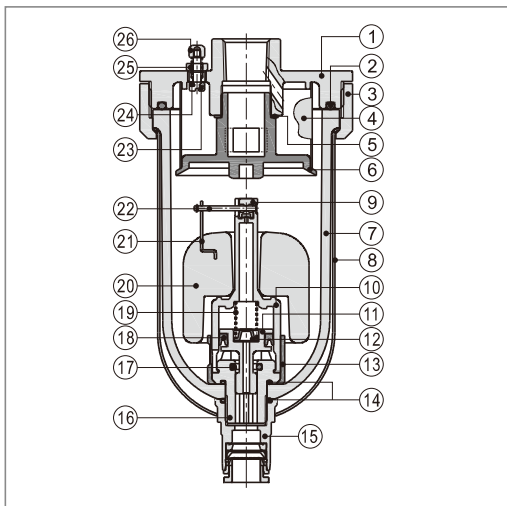
Ordering code

ADW 400 10 □

① ② ③ ④

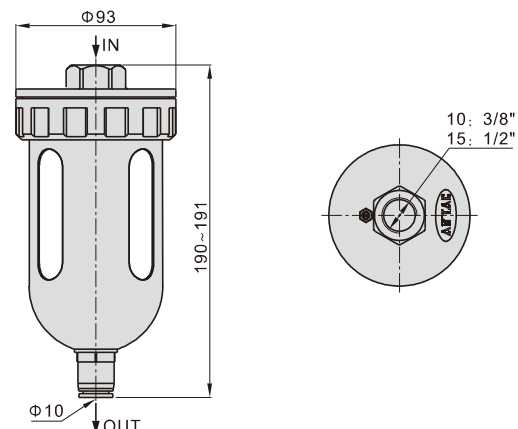
① Model	② Series code	③ Port size	④ Thread type
ADW: Dripleg drain	400: 400 Series	10: 3/8" 15: 1/2"	Blank: PT G: G T: NPT

Inner structure and material of major parts



No.	Item	Material	No.	Item	Material
1	Body	Aluminum alloy	14	O-ring	NBR
2	O-ring	NBR	15	Drain joint set	
3	Body nut	Aluminum alloy	16	Drain baffle	POM
4	Filter gauze	Stainless steel	17	O-ring	VITON
5	Fixed ring	NBR	18	O-ring	NBR
6	Filter	POM	19	Spring	Spring steel
7	Drain bowl	PC	20	Float	PU rigid foam
8	Bowl guard	08F	21	Link iron	Stainless steel
9	Valve	Stainless steel & rubber	22	Lever	Stainless steel
10	Piston	Aluminum alloy	23	Adjustable screw	Stainless steel
11	Float	PC+ABS	24	Gasket	EPDM
12	Silencer	Agglomerated by brass grain	25	Balance needle seat	Stainless steel
13	Filter element	Stainless steel & rubber	26	Screw	Steel

Dimensions



Installation and application

1. ADW400 series are applicable to following air compressing equipments: air storage tank, dryer, filter, and piping.
2. Minimum 300mm room is required if the bottom end of above-mentioned equipments being connected with a (1/2") joint.
3. Using a 1/2" hand lever valve between the air compressing equipment and the inlet of ADW400 is good for maintenance.
4. The air displacement of the air compressing equipment can't be lower than 182 L/min.
5. Make sure the drain is vertical downward and the drain pipe is not bended upside.
6. Do not use acidoid or volatile oil gas (hydrochloric acid, petrol, methylbenzene, etc.) to clean the PC bowl. This may cause break.
7. Push the hexagon nut of the body to release the residual pressure before dissembling the PC bowl and metal protection case to avoid any injury or harm.