

PC, POC series

Ordering code

PC 6 01 □ □

① ② ③ ④ ⑤

① Model	② Port size	③ Thread connection		④ Standard color		⑤ Thread type
PC: Male connector 	4: Φ 4mm 6: Φ 6mm 8: Φ 8mm 10: Φ 10mm 12: Φ 124mm	Thread connection M5: M5X0.8	Adaptable port size Φ 4, Φ 6	Standard color	Specification	Blank: PT
POC: Male connector 		01: 1/8" 02: 1/4" 03: 3/8" 04: 1/2"	Φ 4, Φ 6 Φ 8, Φ 10 Φ 12	Blank: Gray D: Black	Release button: Gray Release button: Black	

Specification

Operating pressure range	0~10kgf/cm ² (0~1.0MPa)
Negative pressure	-750mmHg(10Torr)
Proof pressure	1.5MPa
Ambient and fluid temperature (°C)	-20~70
Applicable tubing	Soft nylon or polyurethane
Color	Grey/black

Table for interface port and tube O.D.

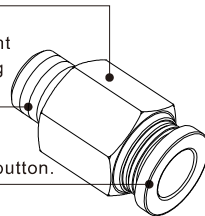
Product series	Thread type	Port size				
		Φ 4	Φ 6	Φ 8	Φ 10	Φ 12
PC	M5	●	●			
	1/8"	●	●		●	●
	1/4"	●	●	●	●	●
	3/8"		●	●	●	●
	1/2"		●	●	●	●
POC	M5	●	●			
	1/8"	●	●	●	●	
	1/4"	●	●	●	●	●
	3/8"		●	●	●	●
	1/2"			●	●	●

Product feature

1. The compact appearance space saving.

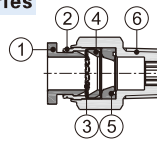
2. The threaded portion is covered with sealant and the M5 thread is attached with a sealing gasket to prevent air leakage over the connection thread portion.

3. Grey and black are optional for the release button.



Inner structure

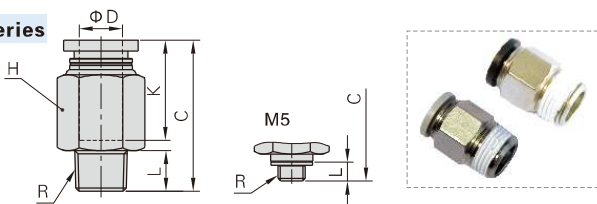
PC Series



No.	Item	Material
1	Release button	POM
2	Guide	Aluminum alloy
3	Spring gasket	Stainless steel
4	Chuck	POM
5	O-ring	NBR
6	Body	Brass

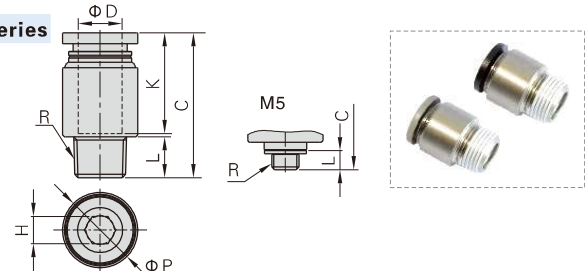
Dimensions

PC Series



Model/Item	Φ D	R	L	C	K	H(Across flat)	Weight(g)
PC4M5	4	M5×0.8	3.5	19.5	14	9	6.5
PC401		1/8"	7.5	19.5	14	10	7
PC402		1/4"	10	19.5	14	14	13.5
PC6M5	6	M5×0.8	3.5	22.5	16.5	12	8.5
PC601		1/8"	7.5	22.0	18.5	12	7.5
PC602		1/4"	10	24.5	18.5	14	15.5
PC603	3/8"	11	22.5	18.5	17	24	
PC604	1/2"	14	26.0	18.5	21	46	
PC801	8	1/8"	7.5	28	18.5	14	13.5
PC802		1/4"	10	27	18.5	14	13
PC803		3/8"	11	23.5	18.5	17	21
PC804	1/2"	14	27	18.5	21	43.5	
PC1001	10	1/8"	7.5	30	21	17	20.5
PC1002		1/4"	10	32.5	21	17	24
PC1003		3/8"	11	28	21	17	20.5
PC1004	1/2"	14	26.5	21	21	36	
PC1201	12	1/8"	7.5	32.5	23	21	38.5
PC1202		1/4"	10	35	23	21	40.5
PC1203		3/8"	11	30.5	23	21	28.5
PC1204	1/2"	14	32.5	23	21	41.5	

POC Series



Model/Item	Φ D	R	Φ P	L	C	K	H(Across flat)	Weight(g)
POC4M5	4	M5×0.8	9	3.5	18.5	14	2.5	3.6
POC401		1/8"	10	7.5	18	14	3	5.5
POC402		1/4"	14	10	19.5	14	3	12.6
POC6M5	6	M5×0.8	12	3.5	21.5	16.5	2	5.9
POC601		1/8"	12	7.5	22.0	18.5	4	6.3
POC602		1/4"	14	10	22.0	18.5	4	11.8
POC801	8	1/8"	14	7.5	26.5	18	5	9.9
POC802		1/4"	14	10	25	18	6	10.1
POC803		3/8"	17	11	23.5	18	6	19.3
POC1001	10	1/8"	17	7.5	30	21	5	16.5
POC1002		1/4"	17	10	29	21	6	15.4
POC1003		3/8"	17	11	28	21	8	18.7
POC1004	1/2"	21	14	26.5	21	8	35.3	
POC1202	12	1/4"	21	10	34.5	23	6	32.3
POC1203		3/8"	21	11	30	23	8	25.1
POC1204		1/2"	21	14	32	23	8	37.5

PC, PL mini series

Ordering code

PC 6 01 □ □ - M

① ② ③ ④ ⑤ ⑥

① Model	② Port size	③ Thread connection		④ Standard color		⑤ Thread type	⑥ Style type
PC: Male connector 	3.2: $\Phi 3.2\text{mm}$ 4: $\Phi 4\text{mm}$ 6: $\Phi 6\text{mm}$	Thread connection	Adaptable port size	Standard color	Specification	Blank: PT	M: Mini type
M3: M3X0.5		$\Phi 3.2, \Phi 4$	Blank: Gray	Release button: Gray			
M5: M5X0.8		$\Phi 3.2, \Phi 4, \Phi 6$	D: Black	Release button: Black			
PL: Male elbow 		01: 1/8"	$\Phi 4, \Phi 6$				

Specification

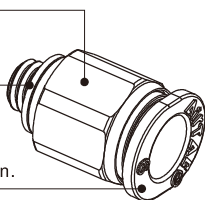
Operating pressure range	0~10kgf/cm²(0~1.0MPa)
Negative pressure	-750mmHg(10Torr)
Proof pressure	1.5MPa
Ambient and fluid temperature (°C)	-20~70
Applicable tubing	Soft nylon or polyurethane
Color	Grey/black

Table for interface port and tube O.D.

Product series	Thread type	Port size		
		$\Phi 3.2$	$\Phi 4$	$\Phi 6$
PC/PL	M3	●	●	
	M5	●	●	●
	1/8"		●	●

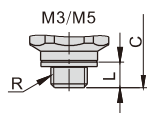
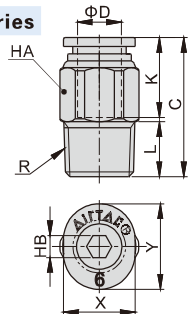
Product feature

- The compact appearance space saving.
- The threaded portion is covered with sealant and the M3/M5 thread is attached with a sealing gasket to prevent air leakage over the connection thread portion.
- Grey and black are optional for the release button.

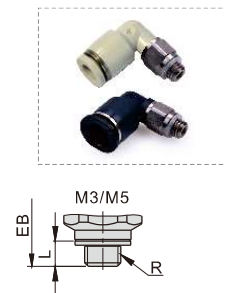
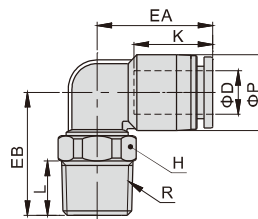
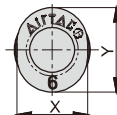


Dimensions

PC Series



PL Series



Model\Item	ΦD	R	L	C	K	X	Y	HA	HB	Weight(g)
PC3.2M3-M	3.2	M3×0.5	3	16	11.5	6.8	8.7	7	1.5	1.7
PC3.2M5-M		M5×0.8	3.5	16	11.5	6.8	8.7	7	2	2.0
PC4M3-M	4	M3×0.5	3	17.5	12.5	7.8	9.5	8	1.5	2.4
PC4M5-M		M5×0.8	3.5	17	12.5	7.8	9.5	8	2	2.7
PC401-M	4	1/8"	7.5	17.5	13.5	7.8	9.5	10	3	5.5
PC6M5-M	6	M5×0.8	3.5	18.5	13.5	9.8	11.7	10	2	3.6
PC601-M		1/8"	7.5	19.0	15.5	9.8	11.7	10	4	6.0

Model\Item	ΦD	R	ΦP	L	K	EA	EB	H	X	Y	Weight(g)
PL3.2M3-M	3.2	M3×0.5	7.5	3	12	14.5	14	7	6.8	8.7	2.4
PL3.2M5-M		M5×0.8		3.5	12		14.5	7	6.8	8.7	2.7
PL4M3-M	4	M3×0.5	8.5	3	12.5	15	14	7	7.8	9.5	3.0
PL4M5-M		M5×0.8		3.5	12.5		14.5	7	7.8	9.5	3.3
PL401-M	4	1/8"		7.5	12.5		16	10	7.8	9.5	6.2
PL6M5-M	6	M5×0.8	10.5	3.5	13.5	16.0	15.5	7	9.8	11.7	4.0
PL601-M		1/8"		7.5	13.5		16.5	10	9.8	11.7	6.8

One-touch fittings—threaded type

Ordering code

Same diameter type fittings

PL 6 01

① ② ③ ④ ⑤

① Model	② Port size	③ Thread connection	④ Standard color	⑤ Thread type
PHW: Double universal male elbow 	PL: Male elbow 	Thread connection: Adaptable port size	Standard color: Specification	Adaptable model
PHF: Universal female elbow 	PLL: Extended male elbow 	M5: M5X0.8 $\Phi 4, \Phi 6$	Blank: Gray	Release button: Gray PCF PMF
PEB: Male branch tee 	PLF: Female elbow 	4: $\Phi 4$ mm 6: $\Phi 6$ mm 8: $\Phi 8$ mm 10: $\Phi 10$ mm 12: $\Phi 12$ mm	D: Black	Release button: Gray Body: Gray Others
PED: Male run tee 	PCF: Female connector 	01: 1/8" 02: 1/4" 03: 3/8" 04: 1/2"		Release button: Black PCF PMF
PYB: Branch "Y" 	PMF: Bulkhead connector 			Release button: Black Body: Black Others
PZB: Threaded cross 	PH: Universal male elbow 			Blank: PT

Different diameter type fittings

PKD 6 - 4 01

① ② ③ ④ ⑤ ⑥

① Model	② Port size	③ Port size	④ Thread connection	⑤ Standard color	⑥ Thread type
PKD: Male reducer triple branch 	6: $\Phi 6$ mm 8: $\Phi 8$ mm 10: $\Phi 10$ mm	4: $\Phi 4$ mm 6: $\Phi 6$ mm 8: $\Phi 8$ mm	01: 1/8" 02: 1/4" 03: 3/8"	Standard color: Specification Blank: Gray D: Black	Release button: Gray/Body: Gray Release button: Black/Body: Black Blank: PT

Specification

Operating pressure range	0~10kgf/cm ² (0~1.0MPa)
Negative pressure	-750mmHg(10Torr)
Proof pressure	1.5MPa
Ambient and fluid temperature (°C)	-20~70
Applicable tubing	Soft nylon or polyurethane
Color	Grey/black

Product feature

- Variable models can be widely used in every kind of pneumatic systems.
- High circulation performance: bear the same flow with the volume of the tubing inside diameter.
- Connect tubing easily and conveniently. The tubing connection portion is safe and durable.
- The threaded portion is covered with sealant and the M5 thread is attached with a sealing gasket to prevent air leakage over the connection thread portion.
- The nickel plated body is anti-corrosion and anti-pollution, which allows a broader application.

Inner structure

No.	Item	Material
1	Release button	POM
2	Guide	Aluminum alloy
3	Spring gasket	Stainless steel
4	Chuck	POM
5	O-ring	NBR
6	Body	PBT
7	O-ring	NBR
8	Stud	Brass

Table for interface port and tube O.D.

Product series	Thread type	Port size				
		$\Phi 4$	$\Phi 6$	$\Phi 8$	$\Phi 10$	$\Phi 12$
PL	M5	●	●	●	●	●
	1/8"	●	●	●	●	●
	1/4"	●	●	●	●	●
	3/8"	●	●	●	●	●
PLL	M5	●	●	●	●	●
	1/8"	●	●	●	●	●
	1/4"	●	●	●	●	●
	3/8"	●	●	●	●	●
PEB	M5	●	●	●	●	●
	1/8"	●	●	●	●	●
	1/4"	●	●	●	●	●
	3/8"	●	●	●	●	●
PED	M5	●	●	●	●	●
	1/8"	●	●	●	●	●
	1/4"	●	●	●	●	●
	3/8"	●	●	●	●	●
PYB	M5	●	●	●	●	●
	1/8"	●	●	●	●	●
	1/4"	●	●	●	●	●
	3/8"	●	●	●	●	●
PH	M5	●	●	●	●	●
	1/8"	●	●	●	●	●
	1/4"	●	●	●	●	●
	3/8"	●	●	●	●	●
PHF	M5	●	●	●	●	●
	1/8"	●	●	●	●	●
	1/4"	●	●	●	●	●
	3/8"	●	●	●	●	●
PHW	M5	●	●	●	●	●
	1/8"	●	●	●	●	●
	1/4"	●	●	●	●	●
	3/8"	●	●	●	●	●
PZB	M5	●	●	●	●	●
	1/8"	●	●	●	●	●
	1/4"	●	●	●	●	●
	3/8"	●	●	●	●	●

Product series	Thread type	Port size			
		$\Phi 6-\Phi 4$	$\Phi 8-\Phi 6$	$\Phi 10-\Phi 8$	
PKD	1/8"	●			
	1/4"		●		
	3/8"			●	

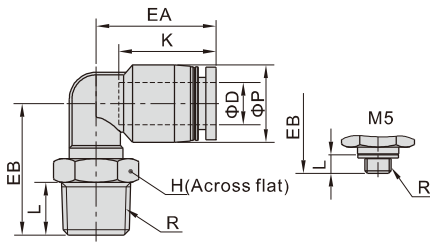
Accessories—One-Touch Fittings



One-touch fittings—threaded type

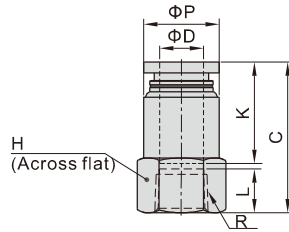
Dimensions

PL Series



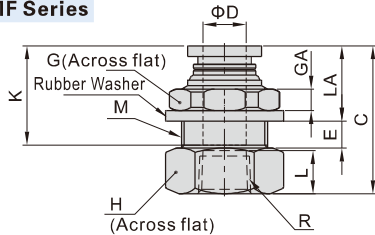
Model/Item	ØD	R	ØP	L	K	EA	EB	H	Weight(g)
PL4M5	4	M5×0.8	9	3.5	14	17	15	8	3
PL401		1/8"	9	7.5	14	17	18.5	10	4.5
PL402		1/4"	9	10	14	17	22.0	14	12
PL6M5	6	M5×0.8	12.5	3.5	17	20	17.0	8	4.5
PL601		1/8"	12.5	7.5	17	20	20.5	10	6
PL602		1/4"	12.5	10	17	20	24.0	14	13.5
PL603		3/8"	12.5	11	17	20	25.5	17	20.5
PL604	8	1/2"	12.5	14	17	20	30.0	21	36
PL801		1/8"	15	7.5	18.5	23	20.5	10	7.5
PL802		1/4"	15	10	18.5	23	25.0	14	13
PL803		3/8"	15	11	18.5	23	26.5	17	21
PL804	10	1/2"	15	14	18.5	23	31.0	21	36
PL1001		1/8"	18	7.5	21	25.5	25.0	17	16.5
PL1002		1/4"	18	10	21	25.5	27.0	17	19
PL1003		3/8"	18	11	21	25.5	28.0	17	21
PL1004	12	1/2"	18	14	21	25.5	32.5	21	37
PL1201		1/8"	21	7.5	23	28.5	26.5	17	19
PL1202		1/4"	21	10	23	28.5	28.5	17	21.5
PL1203		3/8"	21	11	23	29.5	33	17	25.5
PL1204	1/2"	21	14	23	29.5	34	21	37	

PCF Series



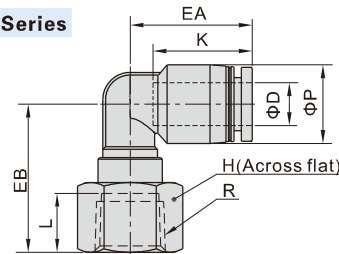
Model/Item	ØD	R	ØP	L	C	K	H	Weight(g)
PCF4M5	4	M5×0.8	9	5	21	14	10	2.7
PCF401		1/8"	9.5	8	23	14	14	4.5
PCF402		1/4"	9.5	11	26	14	17	6.5
PCF6M5	6	M5×0.8	12	5	21.5	16.5	12	3.9
PCF601		1/8"	12.5	8	25.5	16.5	14	5.6
PCF602		1/4"	12.5	11	28.5	16.5	17	7.5
PCF603		3/8"	13	12	29.5	16.5	21	10.7
PCF604	8	1/2"	13	13.5	31.0	16.5	25	13.8
PCF801		1/8"	14	8	27.5	18.5	14	5.8
PCF802		1/4"	14.5	11	30.5	18.5	17	8.4
PCF803		3/8"	14.5	12	31.5	18.5	21	11.2
PCF804	10	1/2"	14.5	13.5	33	18.5	25	14.4
PCF1001		1/8"	17	8	29	21	17	9.5
PCF1002		1/4"	17	11	33	21	17	9.9
PCF1003		3/8"	18	12	34	21	21	14
PCF1004	12	1/2"	18	13.5	35.5	21	25	17.1
PCF1202		1/4"	21	11	33.5	23	21	17.5
PCF1203		3/8"	21	12	35.5	23	21	16.6
PCF1204		1/2"	21	13.5	37	23	25	19.7

PMF Series



Model/Item	ØD	R	M	L	C	K	LA	E	GA	G	H	Weight(g)
PMF401	4	1/8"	M12X1	8	25	14	12	4	4	14	14	6.4
PMF402		1/4"	M12X1	11	29	14	12	4	4	14	17	9
PMF601	6	1/8"	M14X1	8	25.5	16.5	12.5	5	4	17	17	9.1
PMF602		1/4"	M14X1	11	30.5	16.5	12.5	5	4	17	17	10.9
PMF603		3/8"	M14X1	12	31.5	16.5	12.5	5	4	17	21	13.2
PMF801	8	1/8"	M16X1	8	27.5	18.5	13.5	5.5	4	19	19	12.8
PMF802		1/4"	M16X1	11	32	18.5	13.5	5.5	4	19	19	15.7
PMF803		3/8"	M16X1	12	33	18.5	13.5	5.5	4	19	21	15
PMF804		1/2"	M16X1	13.5	34.5	18.5	13.5	5.5	4	19	25	18.1
PMF1001	10	1/8"	M20X1	8	30	21	14.5	7.5	5	24	22	19.6
PMF1002		1/4"	M20X1	11	35	21	14.5	7.5	5	24	22	22.8
PMF1003		3/8"	M20X1	12	36	21	14.5	7.5	5	24	22	21.1
PMF1004		1/2"	M20X1	13.5	37.5	21	14.5	7.5	5	24	25	23.2
PMF1202	12	1/4"	M22X1	11	34.5	23	15.5	8	6	27	24	26.2
PMF1203		3/8"	M22X1	12	37.5	23	15.5	8	6	27	24	27
PMF1204		1/2"	M22X1	13.5	39	23	15.5	8	6	27	25	26.2

PLF Series



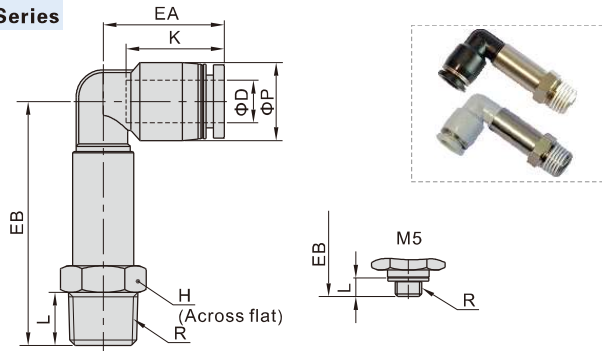
Model/Item	ØD	R	ØP	L	K	EA	EB	H	Weight(g)
PLF4M5	4	M5×0.8	9	5	14	17	16	10	2.9
PLF401		1/8"	9	8	14	17	21	14	4.6
PLF402		1/4"	9	11	14	17	24	17	6.8
PLF6M5	6	M5×0.8	12.5	5	17	20	18.5	10	7
PLF601		1/8"	12.5	8	17	20	23	14	5.8
PLF602		1/4"	12.5	11	17	20	26	17	8
PLF603		3/8"	12.5	12	17	20	27	21	10.7
PLF801	8	1/8"	15	8	18.5	23	20	14	6.6
PLF802		1/4"	15	11	18.5	23	27.5	17	9.2
PLF803		3/8"	15	12	18.5	23	28.5	21	11.9
PLF804		1/2"	15	13.5	18.5	23	30	25	15.2
PLF1001	10	1/8"	18	8	21	25.5	24	17	11.3
PLF1002		1/4"	18	11	21	25.5	26.5	17	11.2
PLF1003		3/8"	18	12	21	25.5	30	21	14.5
PLF1004		1/2"	18	13.5	21	25.5	31.5	25	17.4
PLF1202	12	1/4"	21	11	23	28.5	28.5	17	13.7
PLF1203		3/8"	21	12	23	29.5	32	21	17.4
PLF1204		1/2"	21	13.5	23	29.5	33	25	20.4



Accessories—One-Touch Fittings

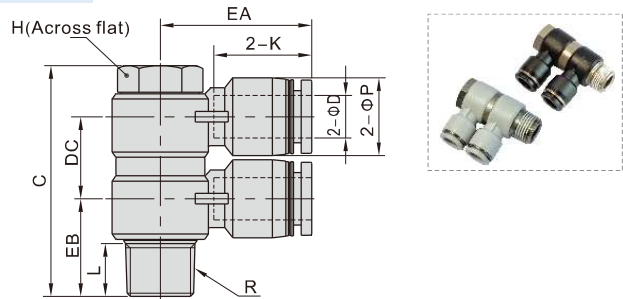
One-touch fittings—threaded type

PLL Series



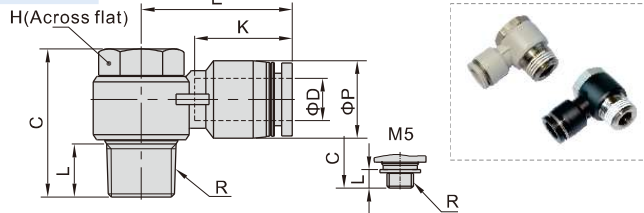
Model\Item	ΦD	R	ΦP	L	K	EA	EB	H	Weight(g)
PLL4M5	4	M5×0.8	9	3.5	14	17	32.5	8	8.9
PLL401		1/8"	9	7.5	14	17	35.5	10	12.3
PLL402		1/4"	9	10	14	17	38.5	14	16.9
PLL6M5	6	M5×0.8	12.5	3.5	17	20	34.5	8	9.9
PLL601		1/8"	12.5	7.5	17	20	37.5	10	13
PLL602		1/4"	12.5	10	17	20	40.5	14	18
PLL603		3/8"	12.5	11	17	20	43	17	23.4
PLL801	8	1/8"	15	7.5	18.5	23	43.5	12	16.6
PLL802		1/4"	15	10	18.5	23	45.5	14	22.7
PLL803		3/8"	15	11	18.5	23	48	17	27.7
PLL1001	10	1/8"	18	7.5	21	25.5	50.5	15	37.5
PLL1002		1/4"	18	10	21	25.5	53.5	15	40.6
PLL1003		3/8"	18	11	21	25.5	54.5	17	40.7
PLL1004		1/2"	18	14	21	25.5	59	21	47.4
PLL1202	12	1/4"	21	10	23	28.5	55.5	15	43
PLL1203		3/8"	21	11	23	29.5	60	17	55.4
PLL1204		1/2"	21	14	23	29.5	63	21	56.7

PHW Series



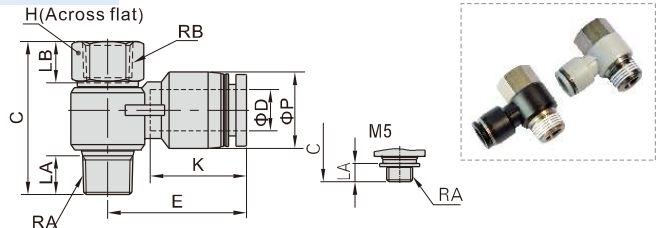
Model\Item	ΦD	R	ΦP	L	C	K	EA	EB	DC	H	Weight(g)
PHW401	4	1/8"	9	7.5	38	14	20.5	14.5	13	11	19
PHW601	6	1/8"	12.5	7.5	38	16.5	23.0	15	13	11	21
PHW602		1/4"	12.5	10	43.5	16.5	25.0	17.5	15.5	14	40.2
PHW603		3/8"	12.5	11	50	16.5	27.0	20	16.5	19	69.2
PHW801	8	1/8"	15	7.5	40.5	18.5	26.5	16.5	15.5	11	23.6
PHW802		1/4"	15	10	43.5	18.5	28.5	18.5	15.5	14	40.8
PHW803		3/8"	15	11	50	18.5	29.5	20	16.5	19	70.4
PHW804		1/2"	15	14	61	18.5	32	24.5	22	24	134.8
PHW1002	10	1/4"	18	10	46.5	21	31	20	18.5	14	47
PHW1003		3/8"	18	11	55	21	33	21	22	19	87.5
PHW1004		1/2"	18	14	61	21	35.5	25	22	24	137.7
PHW1203	12	3/8"	21	11	55	23	36	23	22	19	86.4
PHW1204		1/2"	21	14	61	23	38	26.5	22	24	147.5

PH Series



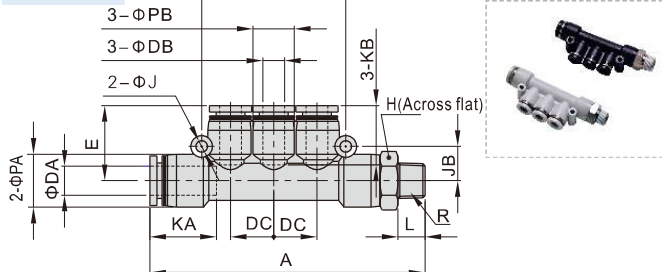
Model\Item	ΦD	R	ΦP	L	C	K	E	H	Weight(g)
PH4M5	4	M5×0.8	9	3.5	17	14	19	8	5.8
PH401		1/8"	9	7.5	25	14	20.5	11	12.8
PH6M5	6	M5×0.8	12.5	3.5	17	16.5	23.5	8	6.8
PH601		1/8"	12.5	7.5	25	16.5	23	11	14
PH602		1/4"	12.5	10	28	16.5	25	14	25.4
PH603		3/8"	12.5	11	33	16.5	27	19	50.2
PH801	8	1/8"	15	7.5	25	18.5	26.5	11	14.7
PH802		1/4"	15	10	28	18.5	28.5	14	26.4
PH803		3/8"	15	11	33	18.5	29.5	19	49.4
PH804		1/2"	15	14	39	18.5	32	24	89
PH1002	10	1/4"	18	10	28	21	31	14	27.7
PH1003		3/8"	18	11	33	21	33	19	51.1
PH1004		1/2"	18	14	39	21	35.5	24	88.5
PH1203	12	3/8"	21	11	33	23	36	19	53
PH1204		1/2"	21	14	39	23	38	24	92.8

PHF Series



Model\Item	ΦD	RA	RB	ΦP	LA	LB	C	K	E	H	Weight(g)
PHF4M5	4	M5×0.8	M5×0.8	9	3.5	6	20	14	19	8	6.2
PHF401		1/8"	1/8"	9	7.5	8	29.5	14	20.5	12	12.9
PHF6M5	6	M5×0.8	M5×0.8	12.5	3.5	6	20	16.5	23.5	8	7.1
PHF601		1/8"	1/8"	12.5	7.5	8	29.5	16.5	23	12	13.9
PHF602		1/4"	1/4"	12.5	10	11	35	16.5	25	17	30.3
PHF603		3/8"	3/8"	12.5	11	12	40	16.5	27	19	44.2
PHF801	8	1/8"	1/8"	15	7.5	8	29.5	18.5	26.5	12	15
PHF802		1/4"	1/4"	15	10	11	35	18.5	28.5	17	30.7
PHF803		3/8"	3/8"	15	11	12	40	18.5	29.5	19	44.8
PHF804		1/2"	1/2"	15	14	13.5	47.5	18.5	32	24	84.7
PHF1002	10	1/4"	1/4"	18	10	11	35	21	31	17	32
PHF1003		3/8"	3/8"	18	11	12	40	21	33	19	46.2
PHF1004		1/2"	1/2"	18	14	13.5	47.5	21	35.5	24	86.1
PHF1203	12	3/8"	3/8"	21	11	12	40	23	36	19	48.4
PHF1204		1/2"	1/2"	21	14	13.5	47.5	23	38	24	89.7

PKD Series



Model\Item	ΦDA	ΦDB	R	L	A	ΦPA	ΦPB	KA
PKD6-401	6	4	1/8"	7.5	66.5	12.5	9	16.5
PKD8-602	8	6	1/4"	10	79	15	12.5	18.5
PKD10-803	10	8	3/8"	11	91.5	18	15	21

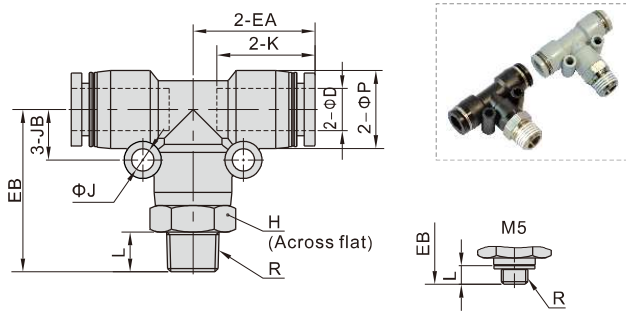
Model\Item	KB	ΦJ	JB	JC	DC	E	H	Weight(g)
PKD6-401	14	3.2	8	34	10	17.5	12	15.8
PKD8-602	16.5	3.2	9.5	40	12	21	14	26.5
PKD10-803	18.5	4.3	11	48	14.5	24	17	38.2



Accessories—One-Touch Fittings

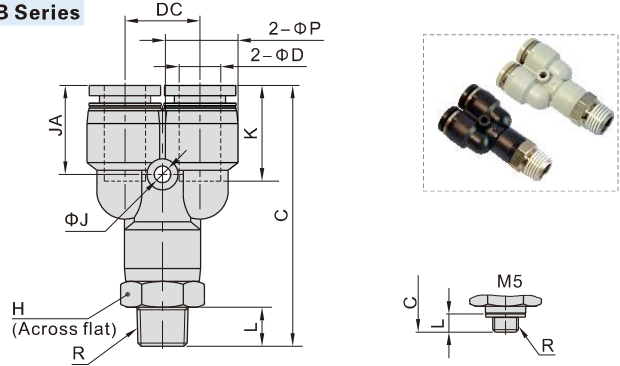
One-touch fittings—threaded type

PEB Series



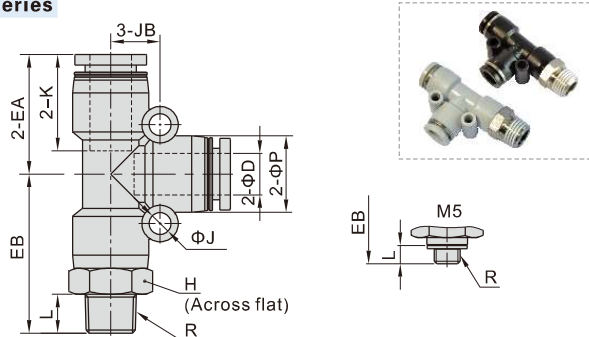
Model/Item	ΦD	R	ΦP	L	K	EA	EB	ΦJ	JB	H	Weight(g)
PEB4M5	4	M5×0.8	9	3.5	14	17	21	3.2	6.5	9	6.8
PEB401		1/8"	9	7.5	14	17	25	3.2	6.5	10	8.8
PEB402		1/4"	9	10	14	17	28	3.2	6.5	14	15.5
PEB6M5	6	M5×0.8	12.5	3.5	16.5	20	23.5	3.2	8	12	11.2
PEB601		1/8"	12.5	7.5	16.5	20	27.5	3.2	8	12	13.5
PEB602		1/4"	12.5	10	16.5	20	30.5	3.2	8	14	18.6
PEB603	8	3/8"	12.5	11	16.5	20	32	3.2	8	17	25.3
PEB801		1/8"	15	7.5	18.5	23	30.5	4.3	9.5	14	18.4
PEB802		1/4"	15	10	18.5	23	33	4.3	9.5	14	21.3
PEB803	10	3/8"	15	11	18.5	23	34.5	4.3	9.5	17	28.2
PEB804		1/2"	15	14	18.5	23	38.5	4.3	9.5	21	41
PEB1001		1/8"	18	7.5	21	26.5	34	4.3	11	17	26.7
PEB1002	12	1/4"	18	10	21	26.5	36.5	4.3	11	17	29.2
PEB1003		3/8"	18	11	21	26.5	37.5	4.3	11	17	31.9
PEB1004		1/2"	18	14	21	26.5	41.5	4.3	11	21	45.4
PEB1202	12	1/4"	21	10	23	30	41	4.3	13	21	49.6
PEB1203		3/8"	21	11	23	30	42	4.3	13	21	51.2
PEB1204		1/2"	21	14	23	30	45	4.3	13	21	57.3

PYB Series



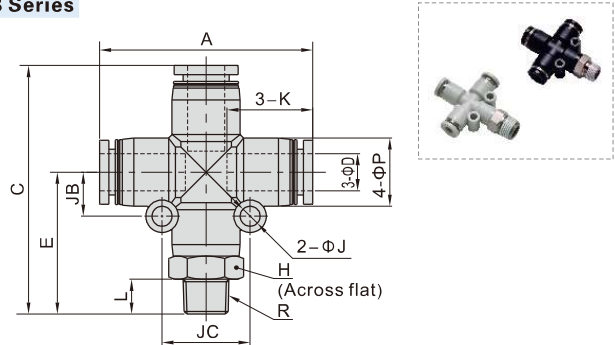
Model/Item	ΦD	R	ΦP	L	C	K	ΦJ	JA	DC	H	Weight(g)
PYB4M5	4	M5×0.8	9	3.5	35.5	14	3.2	13	10	9	6.7
PYB401		1/8"	9	7.5	39.5	14	3.2	13	10	10	9
PYB402		1/4"	9	10	42.5	14	3.2	13	10	14	10.8
PYB6M5	6	M5×0.8	12.5	3.5	40.5	16.5	3.2	15.5	12	12	11.1
PYB601		1/8"	12.5	7.5	44.5	16.5	3.2	15.5	12	12	13.7
PYB602		1/4"	12.5	10	47.5	16.5	3.2	15.5	12	14	18.2
PYB603	8	3/8"	12.5	11	49.0	16.5	3.2	15.5	12	17	25
PYB801		1/8"	15	7.5	50	18.5	3.2	17	14.5	14	19.8
PYB802		1/4"	15	10	52.5	18.5	3.2	17	14.5	14	22
PYB803	10	3/8"	15	11	54	18.5	3.2	17	14.5	17	27.7
PYB804		1/2"	15	14	58	18.5	3.2	17	14.5	21	40.8
PYB1001		1/8"	18	7.5	56.5	21	4.3	19.5	18	17	27.4
PYB1002	12	1/4"	18	10	59	21	4.3	19.5	18	17	29.5
PYB1003		3/8"	18	11	60	21	4.3	19.5	18	17	32.5
PYB1004		1/2"	18	14	64	21	4.3	19.5	18	21	45.4
PYB1202	12	1/4"	21	10	66	23	4.3	21	20.5	21	27.3
PYB1203		3/8"	21	11	67	23	4.3	21	20.5	21	51.8
PYB1204		1/2"	21	14	70	23	4.3	21	20.5	21	56.8

PED Series



Model/Item	ΦD	R	ΦP	L	K	EA	EB	ΦJ	JB	H	Weight(g)
PED4M5	4	M5×0.8	9	3.5	14	17	21	3.2	6.5	9	6.8
PED401		1/8"	9	7.5	14	17	25	3.2	6.5	10	8.8
PED402		1/4"	9	10	14	17	28	3.2	6.5	14	15.5
PED6M5	6	M5×0.8	12.5	3.5	16.5	20	23.5	3.2	8	12	11.2
PED601		1/8"	12.5	7.5	16.5	20	27.5	3.2	8	12	13.5
PED602		1/4"	12.5	10	16.5	20	30.5	3.2	8	14	18.6
PED603	8	3/8"	12.5	11	16.5	20	32	3.2	8	17	25.3
PED801		1/8"	15	7.5	18.5	23	30.5	4.3	9.5	14	18.4
PED802		1/4"	15	10	18.5	23	33	4.3	9.5	14	21.3
PED803	10	3/8"	15	11	18.5	23	34.5	4.3	9.5	17	28.2
PED804		1/2"	15	14	18.5	23	38.5	4.3	9.5	21	41
PED1001		1/8"	18	7.5	21	26.5	34	4.3	11	17	26.7
PED1002	12	1/4"	18	10	21	26.5	36.5	4.3	11	17	29.2
PED1003		3/8"	18	11	21	26.5	37.5	4.3	11	17	31.9
PED1004		1/2"	18	14	21	26.5	41.5	4.3	11	21	45.4
PED1202	12	1/4"	21	10	23	30	41	4.3	13	21	49.6
PED1203		3/8"	21	11	23	30	42	4.3	13	21	51.2
PED1204		1/2"	21	14	23	30	45	4.3	13	21	57.3

PZB Series



Model/Item	ΦD	R	L	A	E	C	ΦP	K	ΦJ	JB	JC	H	Weight(g)	
PZB601	6	1/8"	7.5	27.5	47.5	12.5	16.5	3.2	8	16	12	15.2		
PZB602		1/4"	10	39.5	30.5								50.5	20.4
PZB603		3/8"	11	32	52								27	
PZB801	8	1/8"	7.5	30.5	53.5	15	18.5	4.3	9.5	19	14	20.9		
PZB802		1/4"	10	33	56								23.8	
PZB803		3/8"	11	34.5	57.5								29.9	
PZB804	10	1/2"	14	38.5	61.5	18	21	4.3	11	22	21	43.5		
PZB1002		1/4"	10	36.5	63								33.5	
PZB1003		3/8"	11	52.5	37.5								64	36.5
PZB1004	12	1/2"	14	41.5	68	21	23	4.3	13	26	21	51.2		
PZB1203		3/8"	11	59.5	42								72	56.5
PZB1204		1/2"	14	45	75								65.4	

One-touch fittings—tube-tube type

Ordering code

Same diameter type fittings

PE 6 □
① ② ③

① Model				② Port size	③ Standard color		
PM: Bulkhead union 	PE: Union tee 	PP: Plug 	PV: Union elbow 	4: Φ4mm 6: Φ6mm 8: Φ8mm 10: Φ10mm 12: Φ12mm	Standard color	Specification	Adaptable model
PLM: Bulkhead male elbow 	PY: Union "Y" 	PZ: Cross 	PU: Straight union 		Blank: Gray	Release button: Gray Body: Gray	PM Others
					D: Black	Release button: Black Body: Black	PM Others

Different diameter type fittings

PEG 6 - 4 □
① ② ③ ④

① Model					② Port size I	③ Port size II	④ Standard color	
PG: Different diameter straight 	PZG: Different diameter cross 	PEW: Different diameter tee 	PYW: Different diameter union "Y" 	PGJ: Plug-in reducer 	4: Φ4mm 6: Φ6mm 8: Φ8mm 10: Φ10mm 12: Φ124mm	4: Φ4mm 6: Φ6mm 8: Φ8mm 10: Φ10mm	Standard color	Specification
PEG: Different diameter tee 	PKG: Reducer triple branch union 	PHK: Universal reducer triple branch union 	PHD: Universal reducer four branch union 				Blank: Gray	Release button: Gray Body: Gray
							D: Black	Release button: Black Body: Black

Specification

Operating pressure range	0~10kgf/cm ² (0~1.0MPa)
Negative pressure	-750mmHg(10Torr)
Proof pressure	1.5MPa
Ambient and fluid temperature (°C)	-20~70
Applicable tubing	Soft nylon or polyurethane
Color	Grey/black

Product feature

1. Variable models can be widely used in every kind of pneumatic systems.
2. High circulation performance: bear the same flow with the volume of the tubing inside diameter.
3. Connect tubing easily and conveniently. The tubing connection portion is safe and durable.
4. The threaded portion is covered with sealant and the M5 thread is attached with a sealing gasket to prevent air leakage over the connection thread portion.

Inner structure

No.	Item	Material
1	Release button	POM
2	Guide	Aluminum alloy
3	Spring gasket	Stainless steel
4	Chuck	POM
5	O-ring	NBR
6	Body	Aluminum alloy
7	Rubber washer	NBR
8	Nut	Aluminum alloy

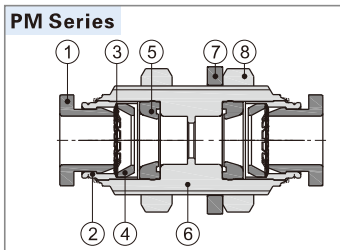


Table for interface port and tube O.D.

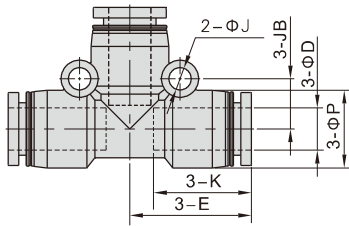
Product series	Port size I	Port size II			
		Φ4	Φ6	Φ8	Φ10
PG PGJ	Φ4	●			
	Φ6	●			
	Φ8	●	●		
	Φ10		●	●	
	Φ12			●	●
PEG PEW PYW	Φ4				
	Φ6	●			
	Φ8		●		
	Φ10			●	
	Φ12			●	●
PZG	Φ4				
	Φ6	●			
	Φ8		●		
	Φ10			●	
	Φ12			●	●
PKG	Φ4				
	Φ6	●			
	Φ8		●		
	Φ10			●	
	Φ12			●	●
PHK PHD	Φ4				
	Φ6				
	Φ8		●		
	Φ10			●	
	Φ12			●	●
Product series	Port size				
PE, PY, PV, PU PM, PLM, PP, PZ	Φ4	Φ6	Φ8	Φ10	Φ12
	●	●	●	●	●

Accessories—One-Touch Fittings

One-touch fittings—tube-tube type

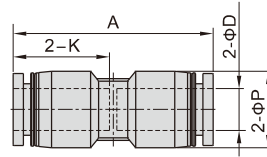
Dimensions

PE Series



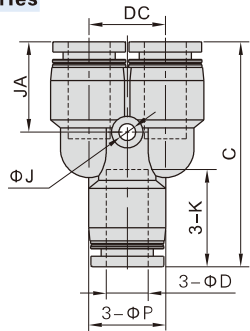
Model\Item	ΦD	ΦP	K	E	ΦJ	JB	Weight(g)
PE4	4	9	14	17	3.2	6.5	3.1
PE6	6	12.5	16.5	20	3.2	8	6.1
PE8	8	15	18.5	23	4.3	9.5	8.8
PE10	10	18	21	26.5	4.3	11	13.8
PE12	12	21	23	30	4.3	13	21

PU Series



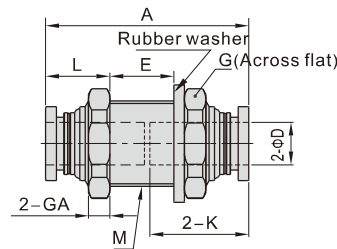
Model\Item	ΦD	ΦP	K	A	Weight(g)
PU4	4	9	14	29.5	1.7
PU6	6	12.5	16.5	34	3.6
PU8	8	15	18.5	38.5	5
PU10	10	18	21	43	8.1
PU12	12	21	23	47	12

PY Series



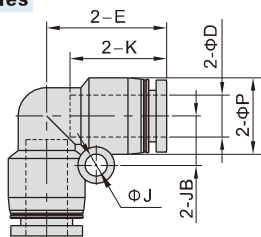
Model\Item	ΦD	ΦP	C	K	ΦJ	JA	DC	Weight(g)
PY4	4	9	31.5	14	3.2	13	10	3
PY6	6	12.5	37	16.5	3.2	15.5	12	6
PY8	8	15	42.5	18.5	3.2	17	14.5	8.6
PY10	10	18	48.5	21	4.3	19.5	18	14
PY12	12	21	54.5	23	4.3	21	20.5	21.2

PM Series



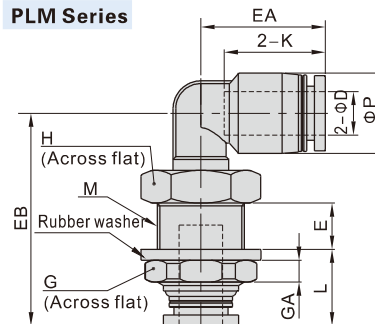
Model\Item	ΦD	M	A	K	L	E	GA	G	Weight(g)
PM4	4	M12X1	29	14	10	7	4	14	6.2
PM6	6	M14X1	34	16.5	10.5	11	4	17	9.5
PM8	8	M16X1	38	18.5	11.5	13	4	19	15.7
PM10	10	M20X1	43	21	12.5	16	5	24	22.5
PM12	12	M22X1	46.5	23	13.5	17.5	6	27	29.5

PV Series



Model\Item	ΦD	ΦP	K	E	ΦJ	JB	Weight(g)
PV4	4	9	14	17	3.2	6.5	1.9
PV6	6	12.5	16.5	20	3.2	8	4.2
PV8	8	15	18.5	23	4.3	9.5	6
PV10	10	18	21	26.5	4.3	11	9.3
PV12	12	21	23	30	4.3	13	14.6

PLM Series



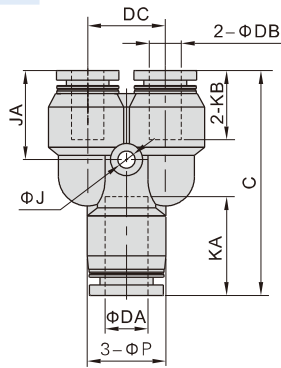
Model\Item	ΦD	ΦP	M	L	E	K	EA	EB	GA	G	H	Weight(g)
PLM4	4	9	M12X1	12	7.5	14	17	31	4	14	14	7.5
PLM6	6	12.5	M14X1	12.5	8.5	17	20	35.5	4	17	17	12.1
PLM8	8	15	M16X1	13.5	9	18.5	23	39	4	19	19	16.6
PLM10	10	18	M20X1	14.5	11	21	25.5	44.5	5	24	22	26.2
PLM12	12	21	M22X1	15.5	11	23	29.5	48	6	27	24	34

Accessories—One-Touch Fittings



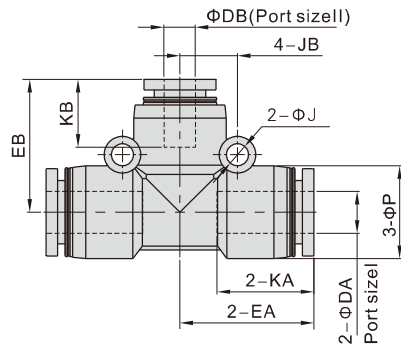
One-touch fittings—tube-tube type

PYW Series



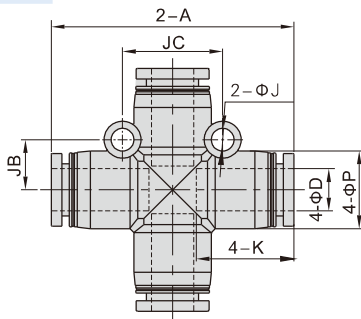
Model\Item	φDA	φDB	C	φP	KA	KB	φJ	JA	DC	Weight(g)
PYW6-4	6	4	36.5	12.5	16.5	14	3.2	15	12	5.8
PYW8-6	8	6	42	15	18.5	16.5	3.2	16.5	14.5	9.1
PYW10-8	10	8	48.5	18	21	18.5	4.3	19	18	14.1
PYW12-8	12	8	54	21	23	18.5	4.3	20.5	20.5	22.3
PYW12-10	12	10	54.5	21	23	21	4.3	21	20.5	21.7

PEG Series



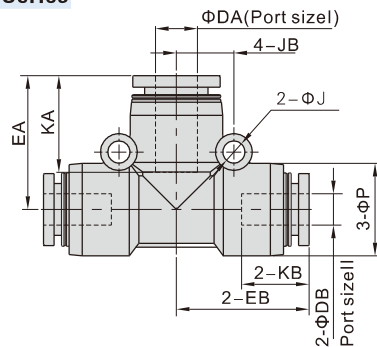
Model\Item	φDA	φDB	φP	KA	KB	EA	EB	φJ	JB	Weight(g)
PEG6-4	6	4	12.5	16.5	14	20.0	19.5	3.2	8	7
PEG8-6	8	6	15	18.5	16.5	22.5	22	4.3	9.5	22.8
PEG10-8	10	8	18	21	18.5	25.5	25.5	4.3	11	15.1
PEG12-8	12	8	21	23	18.5	29	28.5	4.3	13	2.2
PEG12-10	12	10	21	23	21	29	29	4.3	13	21.5

PZ Series



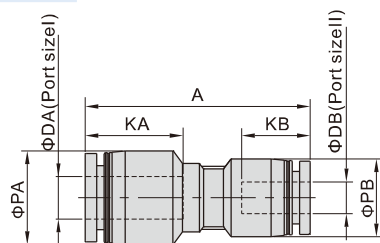
Model\Item	φD	A	φP	K	φJ	JB	JC	Weight(g)
PZ4	4	34	9	14	3.2	6.5	13	3.9
PZ6	6	39.5	12.5	16.5	3.2	8	16	7.9
PZ8	8	46	15	18.5	4.3	9.5	19	11.1
PZ10	10	52.5	18	21	4.3	11	22	17.5
PZ12	12	59.5	21	23	4.3	13	26	26.6

PEW Series



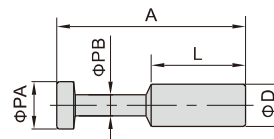
Model\Item	φDA	φDB	φP	KA	KB	EA	EB	φJ	JB	Weight(g)
PEW6-4	6	4	12.5	16.5	14	20	19.5	3.2	8	7
PEW8-6	8	6	15	18.5	16.5	22.5	22	4.3	9.5	22.8
PEW10-8	10	8	18	21	18.5	25.5	25.5	4.3	11	15.1
PEW12-8	12	8	21	23	18.5	29	28.5	4.3	13	2.2
PEW12-10	12	10	21	23	21	29	29	4.3	13	21.5

PG Series



Model\Item	φDA	φDB	φPA	φPB	KA	KB	A	Weight(g)
PG6-4	6	4	12.5	9	16.5	14	33.5	2.7
PG8-4	8	4	15	12.5	18.5	14	37.5	4.5
PG8-6	8	6	15	12.5	18.5	16.5	38	4.5
PG10-6	10	6	18	15	21	16.5	42	6.9
PG10-8	10	8	18	15	21	18.5	42.5	6.7
PG12-8	12	8	21	18	23	18.5	46.5	10.3
PG12-10	12	10	21	18	23	21	47	10.2

PP Series



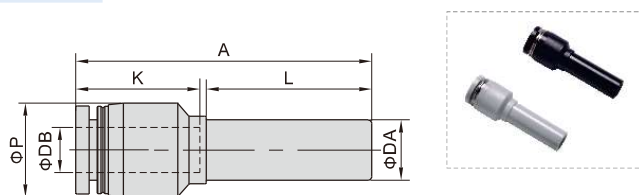
Model\Item	φD	φPA	φPB	L	A	Weight(g)
PP4	4	5	3	15	27.5	0.7
PP6	6	7	3	17	32	0.9
PP8	8	9	4	18	36	1.6
PP10	10	11	5	20	42	2.5
PP12	12	13	6	23	44	4.3



Accessories—One-Touch Fittings

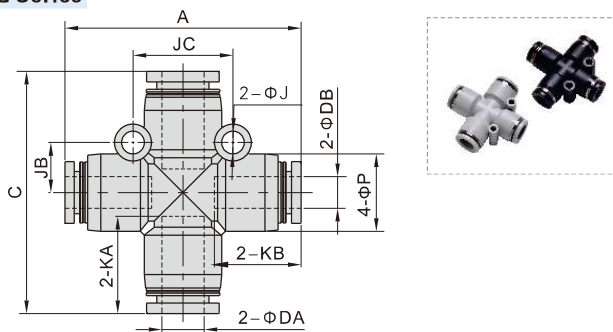
One-touch fittings—tube-tube type

PGJ Series



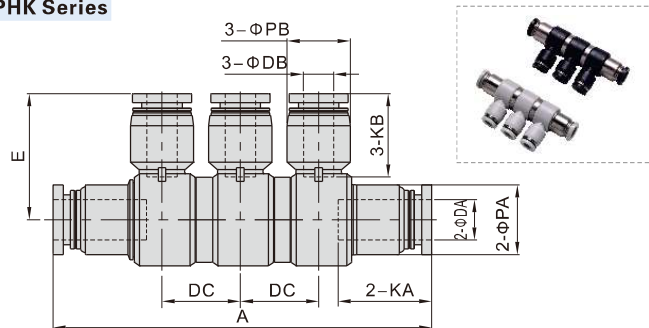
Model\Item	ΦDA	ΦDB	ΦP	K	L	A	Weight(g)
PGJ6-4	6	4	9	14	21	35	1.5
PGJ8-4	8	4	12.5	14	22	39	2.6
PGJ8-6	8	6	12.5	16.5	22	39.5	3.2
PGJ10-6	10	6	15	16.5	25	44	4.1
PGJ10-8	10	8	15	18.5	25	44.5	3.9
PGJ12-8	12	8	18	18.5	26	48.5	6.2
PGJ12-10	12	10	18	21	26	49	6

PZG Series



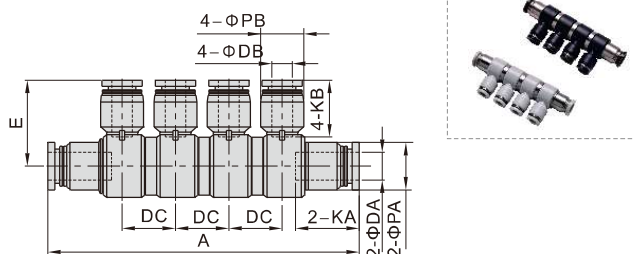
Model\Item	ΦDA	ΦDB	A	C	ΦP	KA	KB	ΦJ	JB	JC	Weight(g)
PZG6-4	6	4	39	39.5	12.5	16.5	14	3.2	8	16	8.2
PZG8-6	8	6	45	46	15	18.5	16.5	4.3	9.5	19	12
PZG10-8	10	8	52	52.5	18	21	18.5	4.3	11	22	18.1
PZG12-10	12	10	59	59.5	21	23	21	4.3	13	26	29

PHK Series



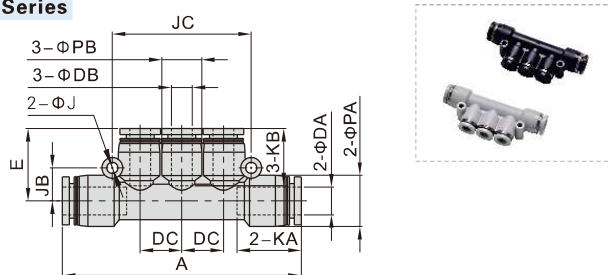
Model\Item	ΦDA	ΦDB	A	ΦPA	ΦPB	KA	KB	DC	E	Weight(g)
PHK8-6	8	6	75	14	12.5	18.5	16.5	15.5	25	28.4
PHK10-8	10	8	85.5	17	15	21	18.5	16.5	29.5	45

PHD Series



Model\Item	ΦDA	ΦDB	A	ΦPA	ΦPB	KA	KB	DC	E	Weight(g)
PHD8-6	8	6	90.5	14	12.5	18.5	16.5	15.5	25	18.7
PHD10-8	10	8	102.5	17	15	21	18.5	16.5	29.5	52.7

PKG Series



Model\Item	ΦDA	ΦDB	A	ΦPA	ΦPB	KA	KB	ΦJ	JB	JC	DC	E	Weight(g)
PKG6-4	6	4	58	12.5	9	16.5	14	3.2	8	34	10	17.5	8.6
PKG8-6	8	6	69	15	12.5	18.5	16.5	3.2	9.5	40	12	21	13.5
PKG10-8	10	8	80	18	15	21	18.5	4.3	11	48	14.5	24	20.7